

DESIGN / BUILD PROJECT
 H. W. DAVIS CONSTRUCTION, INC.
 1212 29th STREET
 ORLANDO, FLORIDA 32805
 PH (407) 849-1212
 FAX(407) 839-4068

**A.C.M.
 CLOSEOUT SHOP**

MDMSC-FMP
 MCDONNELL DOUGLAS
 TITUSVILLE-FLA
 FMP PLANT ENGINEERING DEPT.

General Notes

Mark Date Revision

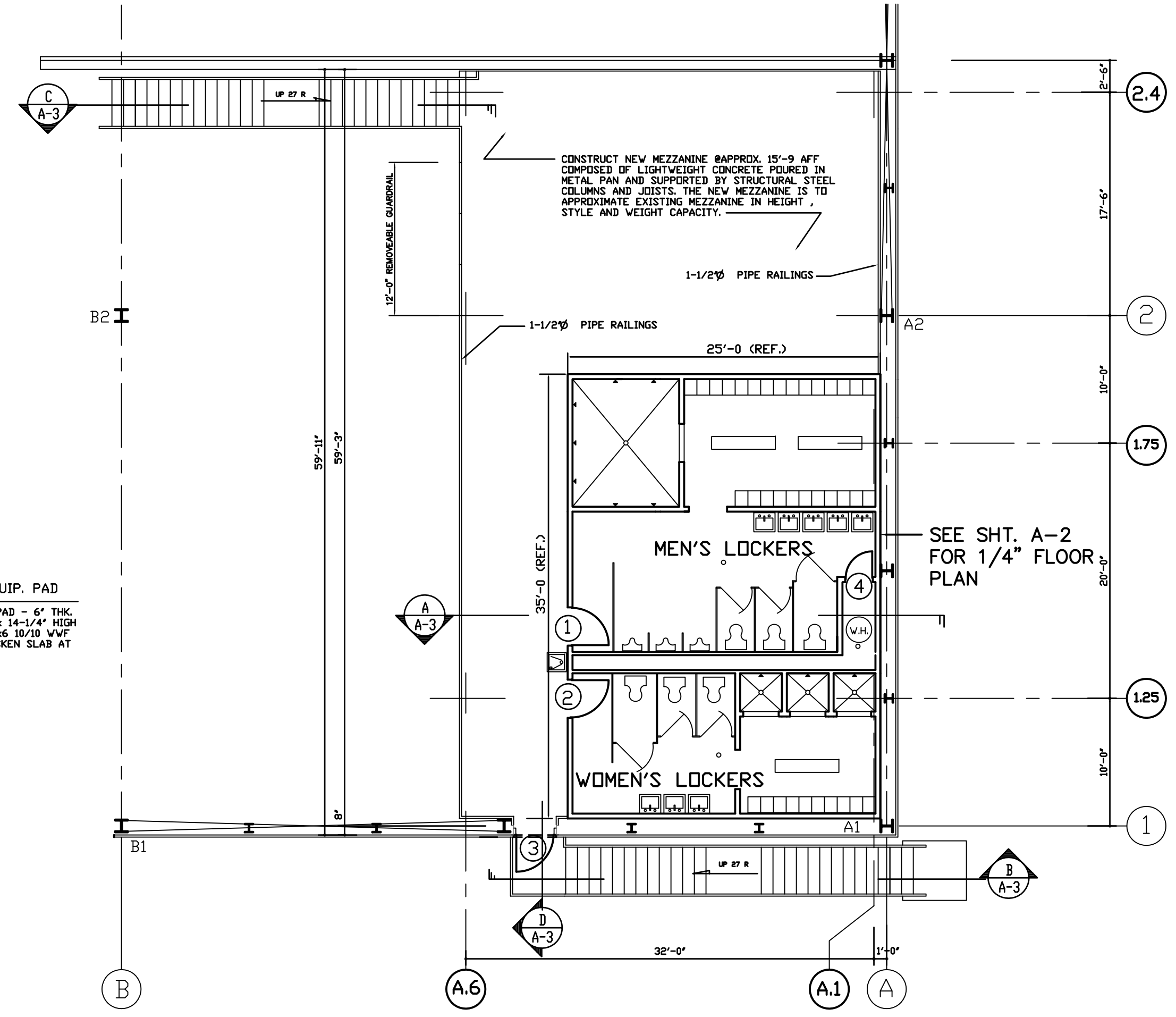
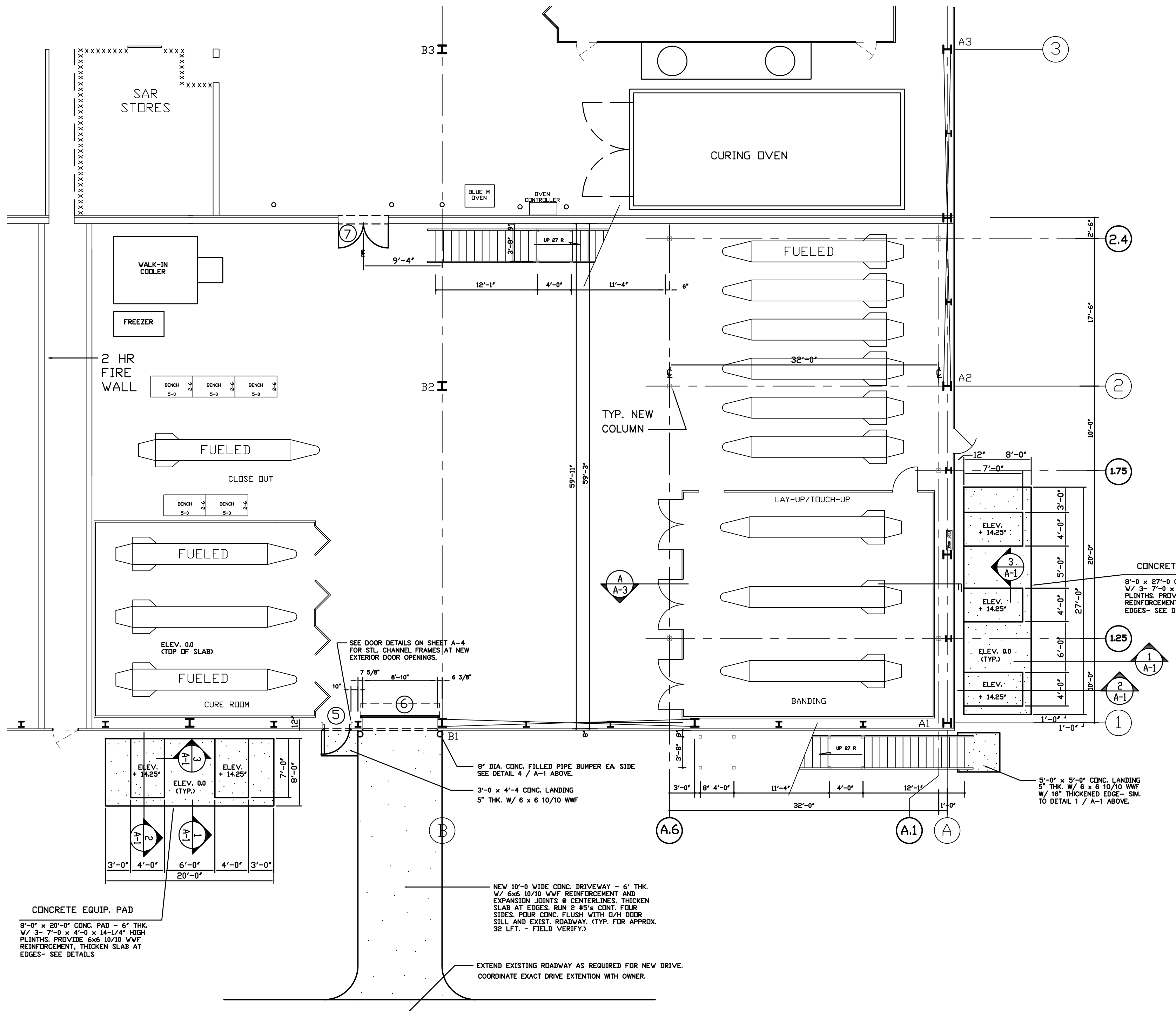
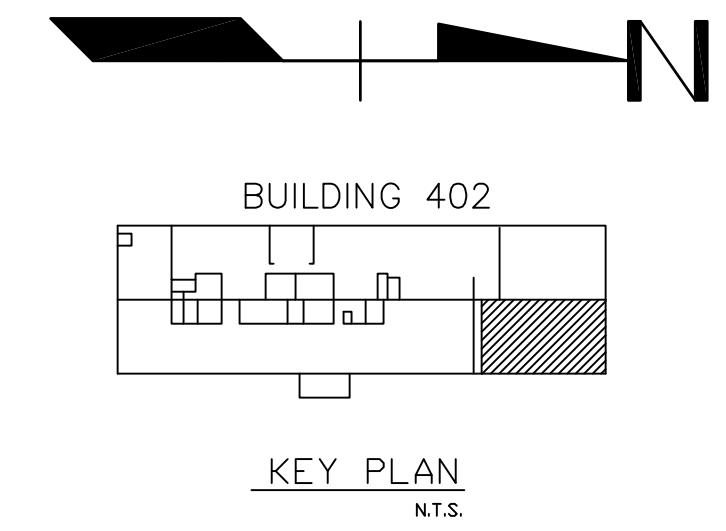
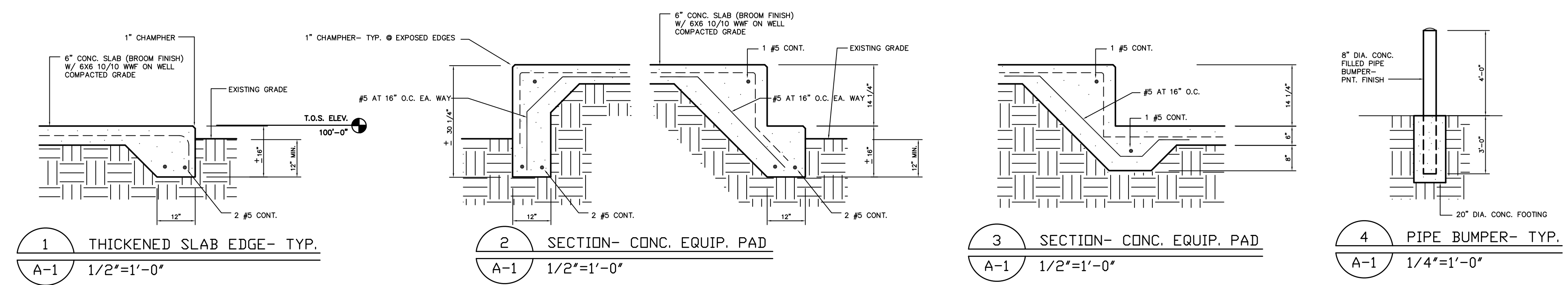
Project No: 90-212 Appov. By:
 Drawn By: CAD Date: 8/27/90
 Checked By: RLB Scale: NOTED

**GROUND FLOOR PLAN
 MEZZANINE FLOOR PLAN**

Sheet No:

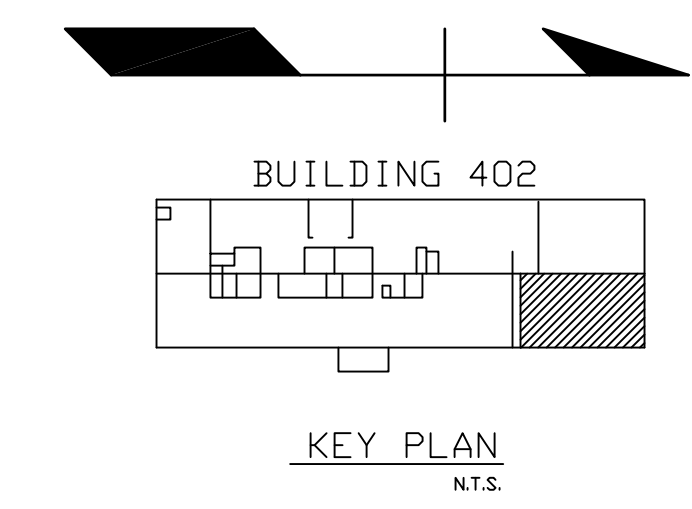
A-1

3 of 6



GROUND FLOOR PLAN
 1/8"=1'-0"

MEZZANINE FLOOR PLAN
 1/8"=1'-0"



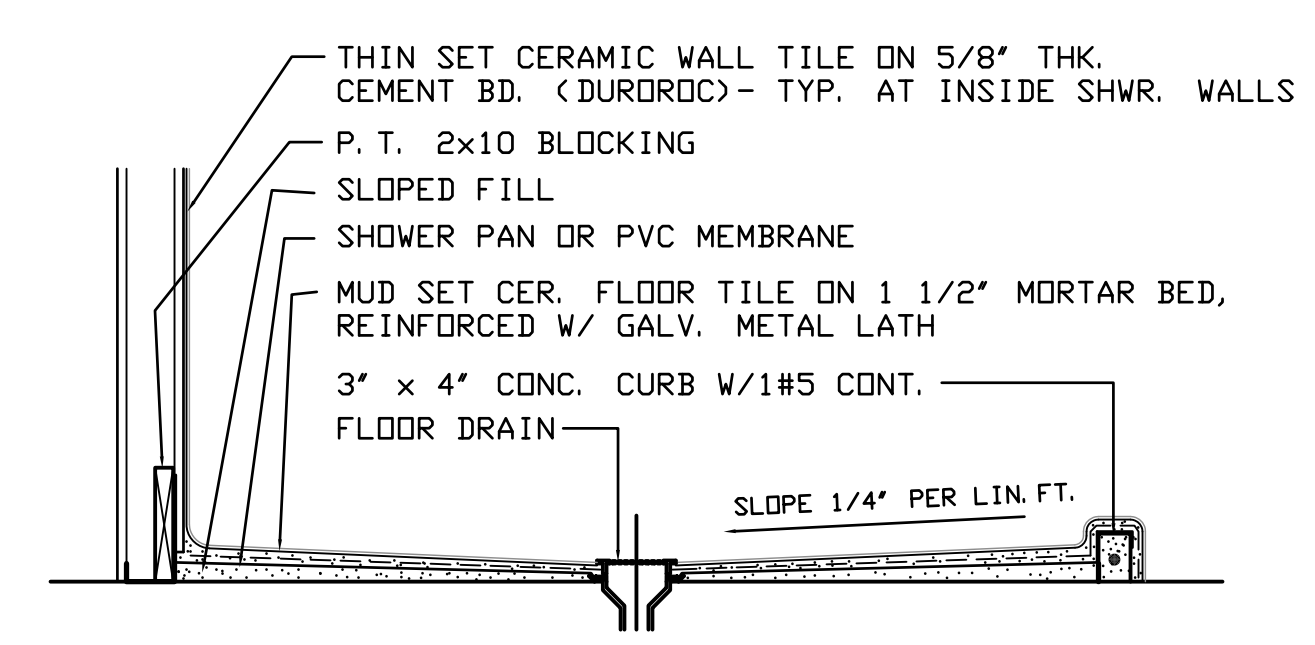
SPACE NO.	SPACE NAME	FLOOR	BASE	WALLS / WAINSCOTS				CEILING	CLG HGT	NOTES
				NORTH	EAST	SOUTH	WEST			
101	STORAGE	EXP. CONC	VB*	---	DW-PNT*	---	---	EXP. STRUCT.	30'	* AT NEW PARTITIONS ONLY
102	HALL	EXP. CONC	VB*	DW-PNT*	---	---	---	EXP. STRUCT.	30'	* AT NEW PARTITIONS ONLY
103	FEMALE TOILET	CT	CT-6"	DW-PNT	DW-PNT	DW-PNT	DW-PNT	DW-PNT	8'-4"	
104	FEMALE LOCKERS	CT	CT-6"	DW-PNT	DW-PNT	DW-PNT	DW-PNT	DW-PNT	8'-4"	
105	FEM. SHOWERS	CT	CT	DW-CT	DW-CT	DW-CT	DW-CT	DW-PNT	8'-4"	
106	MALE TOILET	CT	CT-6"	DW-PNT	DW-PNT	DW-PNT	DW-PNT	DW-PNT	8'-4"	
107	MALE LOCKERS	CT	CT-6"	DW-PNT	DW-PNT	DW-PNT	DW-PNT	DW-PNT	8'-4"	
108	MALE SHOWERS	CT	CT	DW-CT	DW-CT	DW-CT	DW-CT	DW-PNT	8'-4"	
109	WH ROOM/CHASE	EXP. CONC*	**	**	**	**	**	**	---	* OMIT CONC. SEALER, ** EXP. FRAMING-NO FINISHES

- NOTES:
 1. ALL NEW WALLS TO BE PAINT FINISHED WITH SEMI-GLOSS LATEX, COLOR S. W. GRAY #MD-2020
 2. ALL NEW CEILINGS TO BE PAINT FINISHED WITH SEMI-GLOSS LATEX, COLOR WHITE.
 3. CERAMIC TILE COLORS TO BE SELECTED BY OWNER.
 4. PAINT FINISH ALL NEW H. M. DOORS AND FRAMES, COLOR(S) AS SELECTED BY OWNER.
 5. TOILET PARTITIONS AND URINAL SCREENS TO BE SOLID PLASTIC, OVERHEAD BRACED. SEE SPECIFICATIONS.

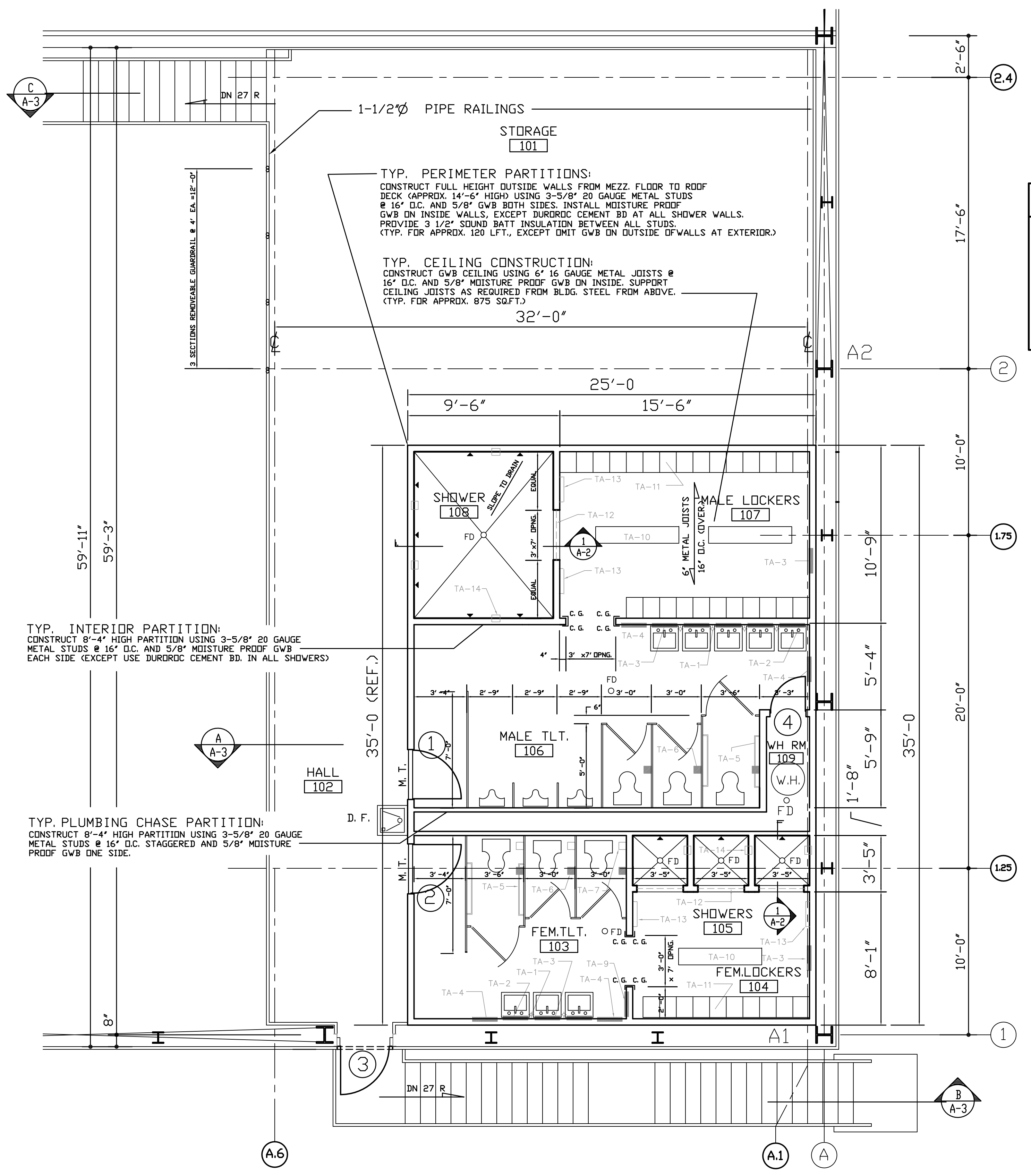
- FINISH MATERIAL ABBREVIATIONS:
 CONC : CONCRETE, EXPOSED W/ SEALER.
 EXP : EXPOSED
 DW : DRYWALL
 VB : 4" VINYL BASE
 PNT : PAINT FINISH
 CT FLOOR : CERAMIC TILE- 1'X1', 1'X2", SLIP RESISTANT
 CT BASE : CERAMIC TILE BASE- 4 1/4" SQ. W/ 2" BULL NOSE CAP
 CT WALL : CERAMIC TILE WALL- 4 1/4" SQ.

TOILET ACCESSORIES

MARK	ACCESSORY	MFR.	MOUNT'G HT.
TA-1	SOAP DISPENSER	BOBRICK B-147	39" TO €
TA-2	TILT MIRROR (16"x30")	BOBRICK B-293	42" TO BOTTOM
TA-3	MIRROR (18"x30")	BOBRICK B-1668	6'-1" TO TOP
TA-4	COMBINATION TOWEL DISPENSER/RECEPTACLE	BOBRICK B-39472	61" TO TOP
TA-5	GRAB BARS (1-1/2" Ø)	BOBRICK B-6206x48"	36" TO €
TA-6	TOILET TISSUE DISPENSER	BOBRICK B-686	20" TO €
TA-7	NAPKIN DISPOSAL	BOBRICK B-270	30" TO TOP
TA-9	NAPKIN VENDOR	BOBRICK B-3502	57" TO TOP
TA-10	BENCH (60"x9-1/2")	LYON 5810	18" TO TOP
TA-11	DOUBLE TIER LOCKER	LYON D-5202-3	78" TO TOP
TA-12	SHOWER CURTAIN & ROD	BOBRICK 204-1,-2, B-604772"	TO €
TA-13	TOWEL BAR	BOBRICK B-205 X 18"	40" TO €
TA-14	SOAP DISH / GRAB	BOBRICK B-4390	48" TO TOP
C.G.	4" ST.STL CORNER GUARD	BOBRICK B-633 X 48"	8" TO BOT



1 TYP. SHOWER SECTION
 A-2 3/4"=1'-0"



MEZZANINE FLOOR PLAN

1/4"=1'-0"

General Notes

Mark Date Revision

Project No: 90-212 Approv. By:
 Drawn By: CAD Date: 8/27/90
 Checked By: RLB Scale: NOTED

1/4" MEZZANINE
 FLOOR PLAN
 SCHEDULES

Sheet No:

A-2

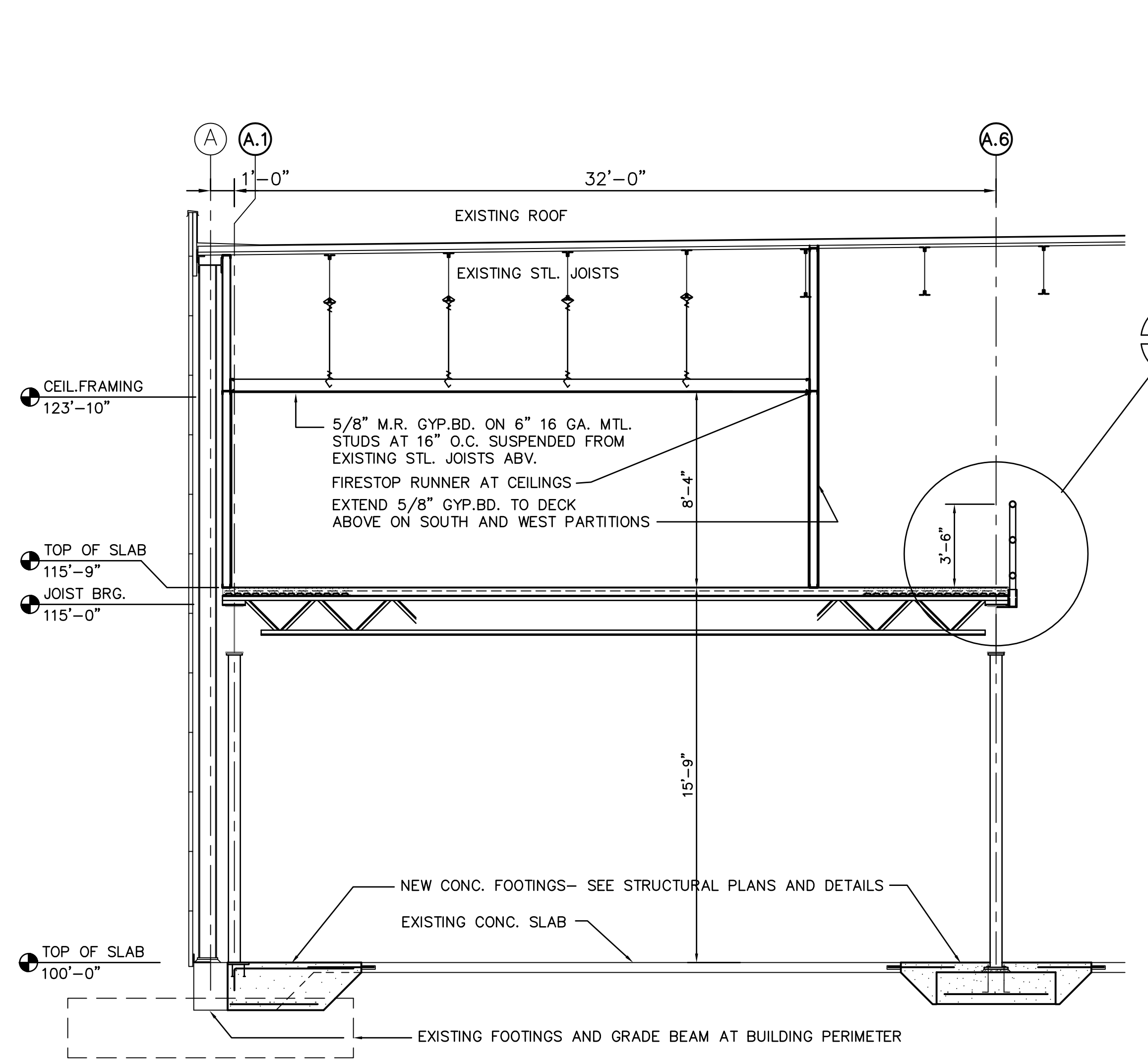
General Notes

Mark Date Revision

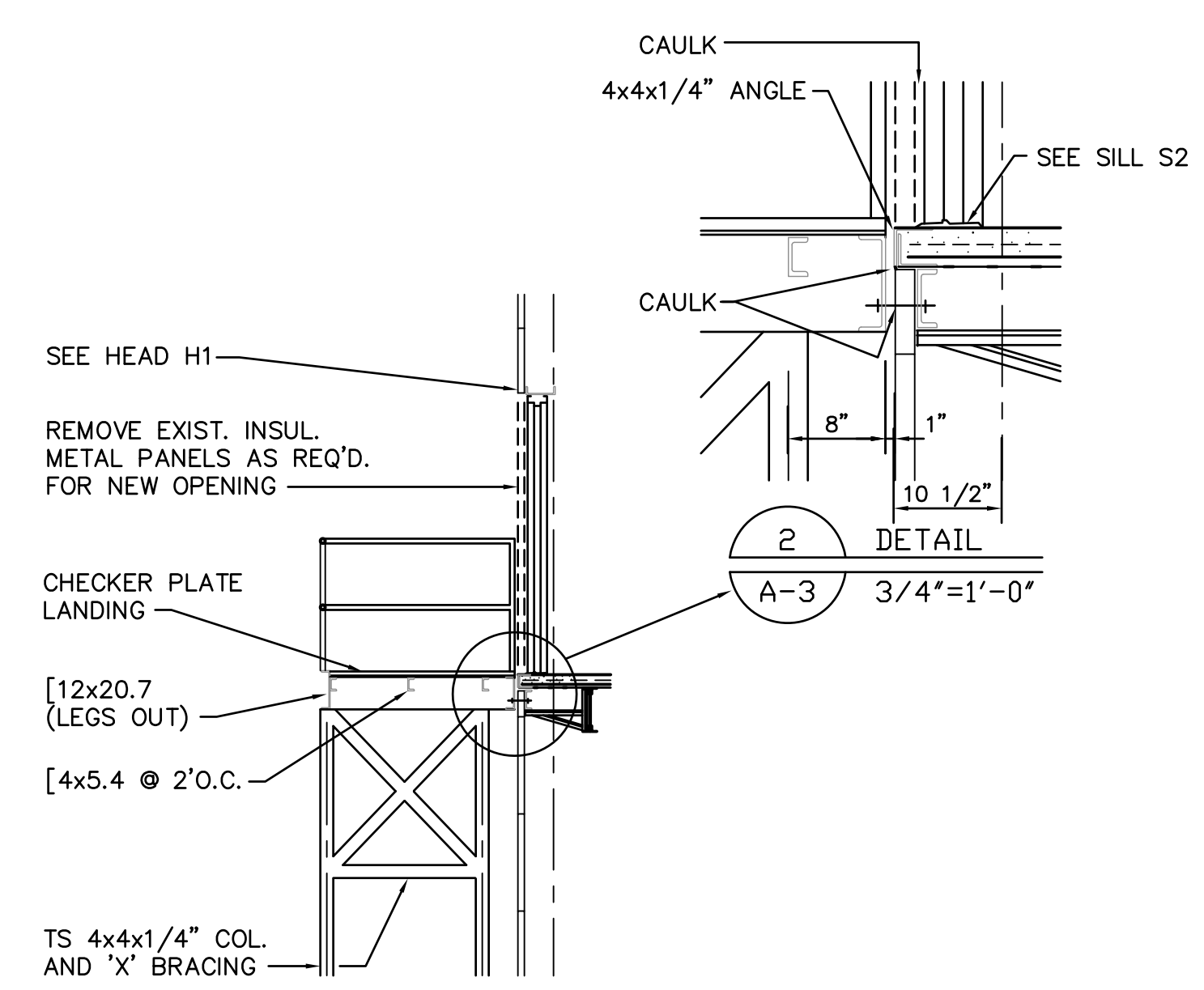
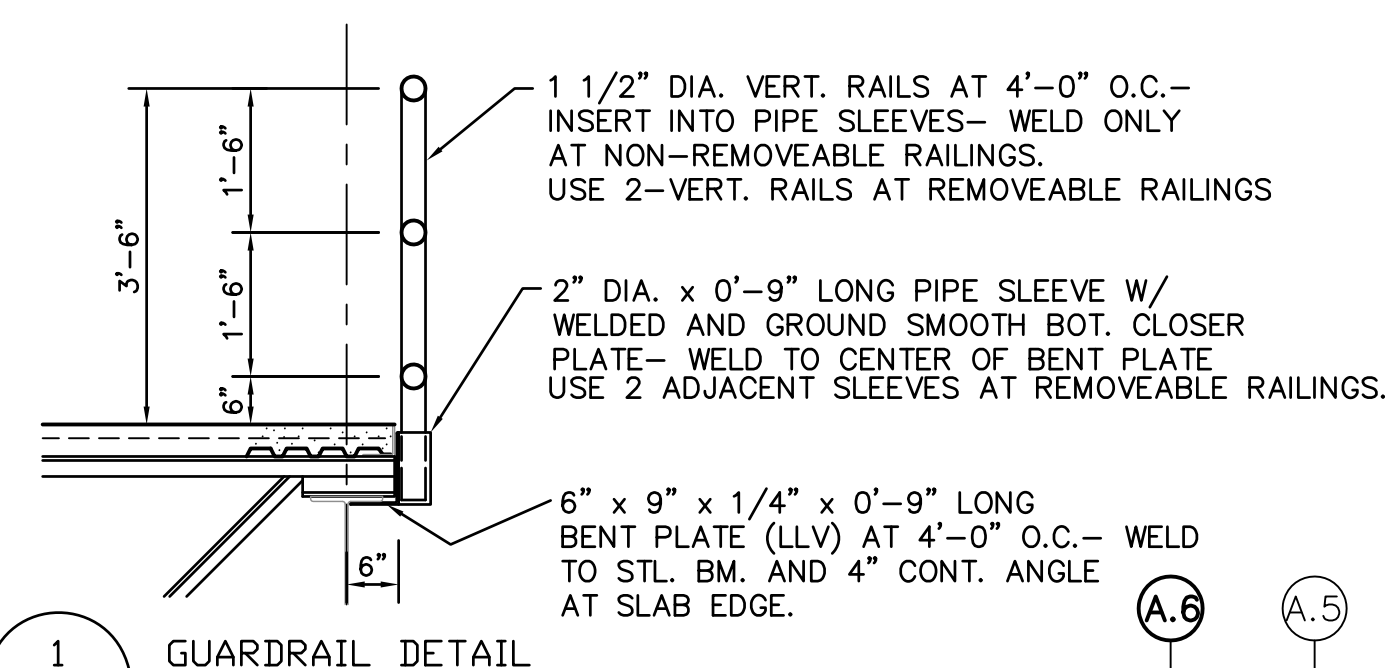
Project No: 90-212 Appov. By:
Drawn By: CAD Date: 8/27/90
Checked By: RLB Scale: NOTED

SECTIONS & DETAILS

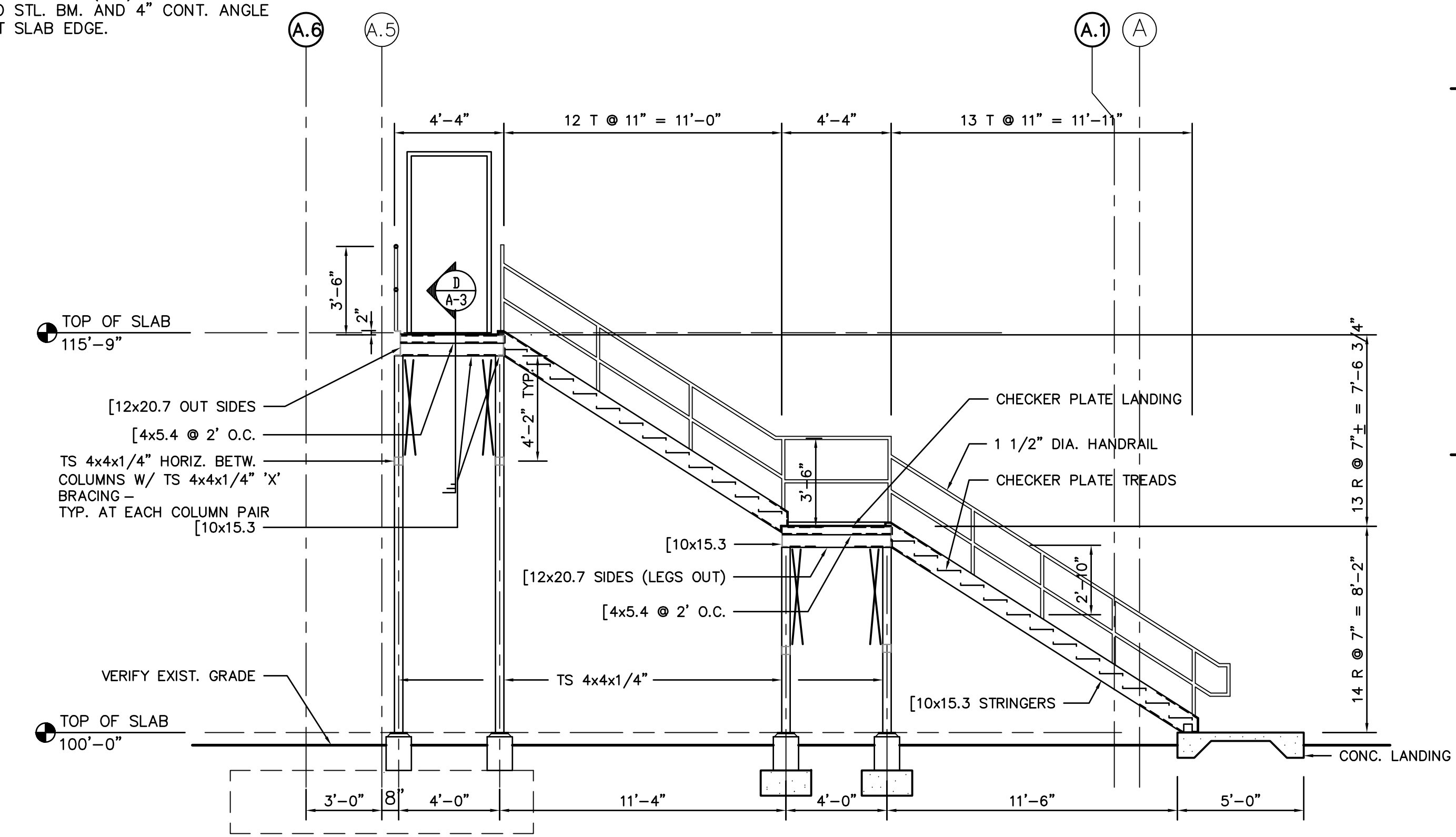
Sheet No:



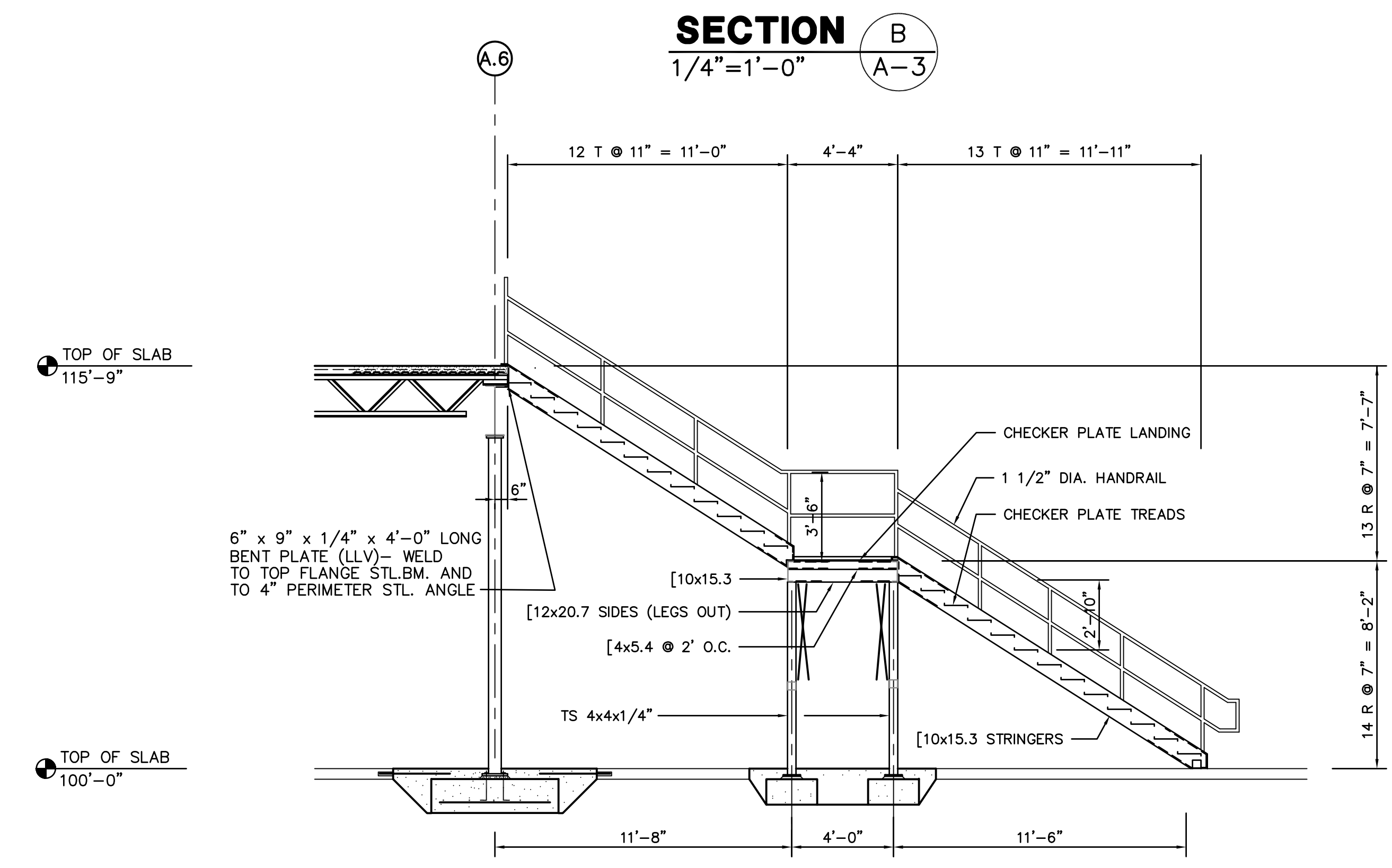
SECTION A
1/4"=1'-0" A-3



SECTION D
1/4"=1'-0" A-3



SECTION B
1/4"=1'-0" A-3



SECTION C
1/4"=1'-0" A-3