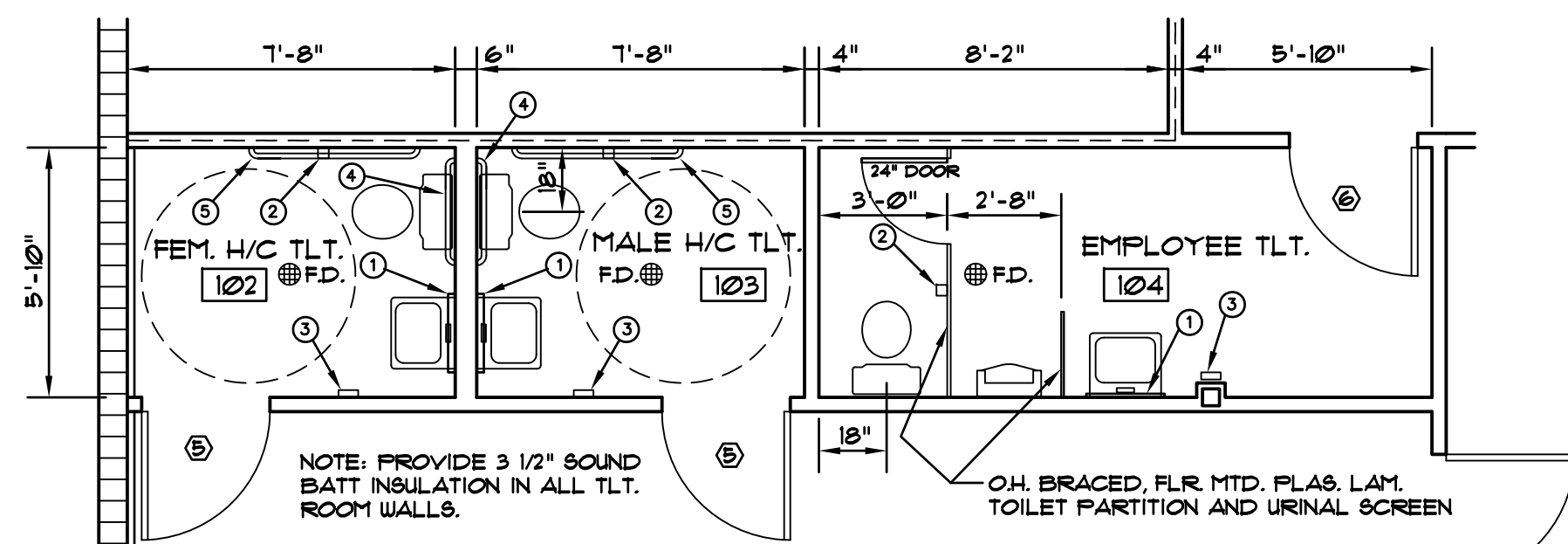


**ACTION TIRE STORE**

OCOE, FLORIDA

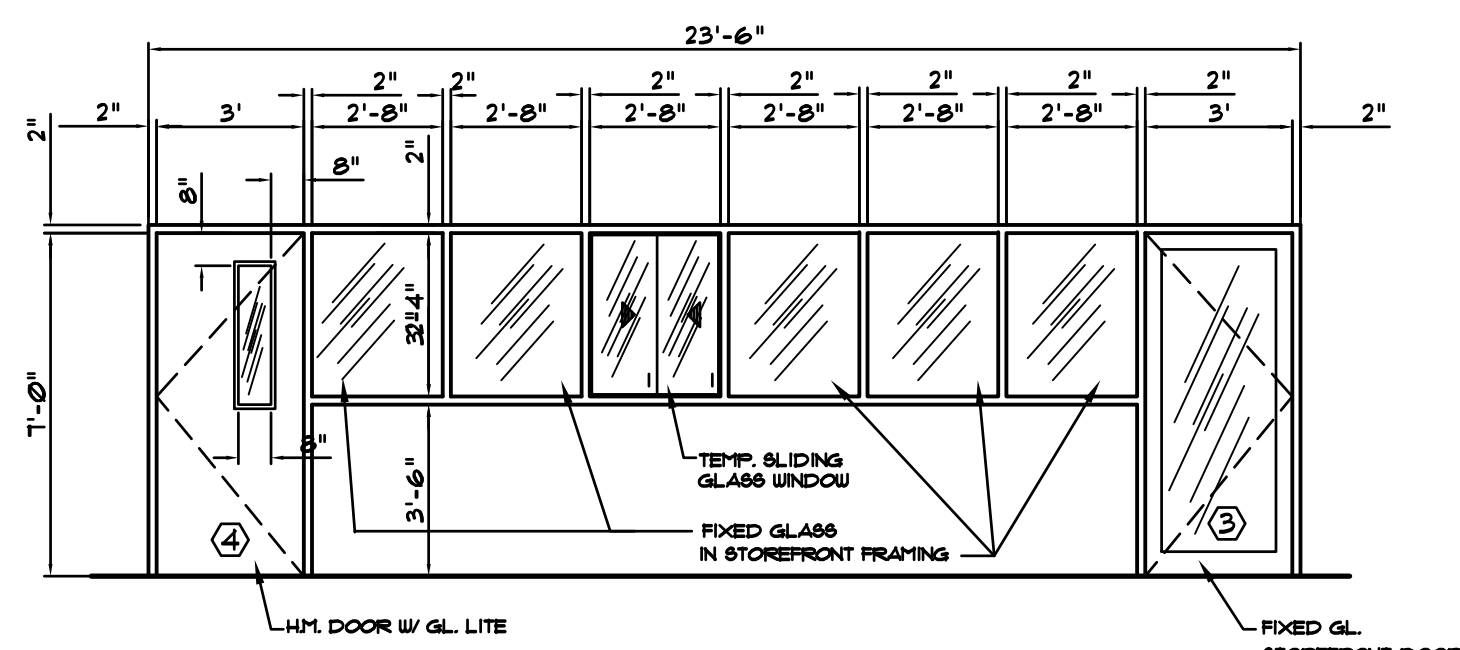
For  
**LaKenDon, Inc.**  
4938 W. Colonial Dr.  
Orlando, Florida

General Notes



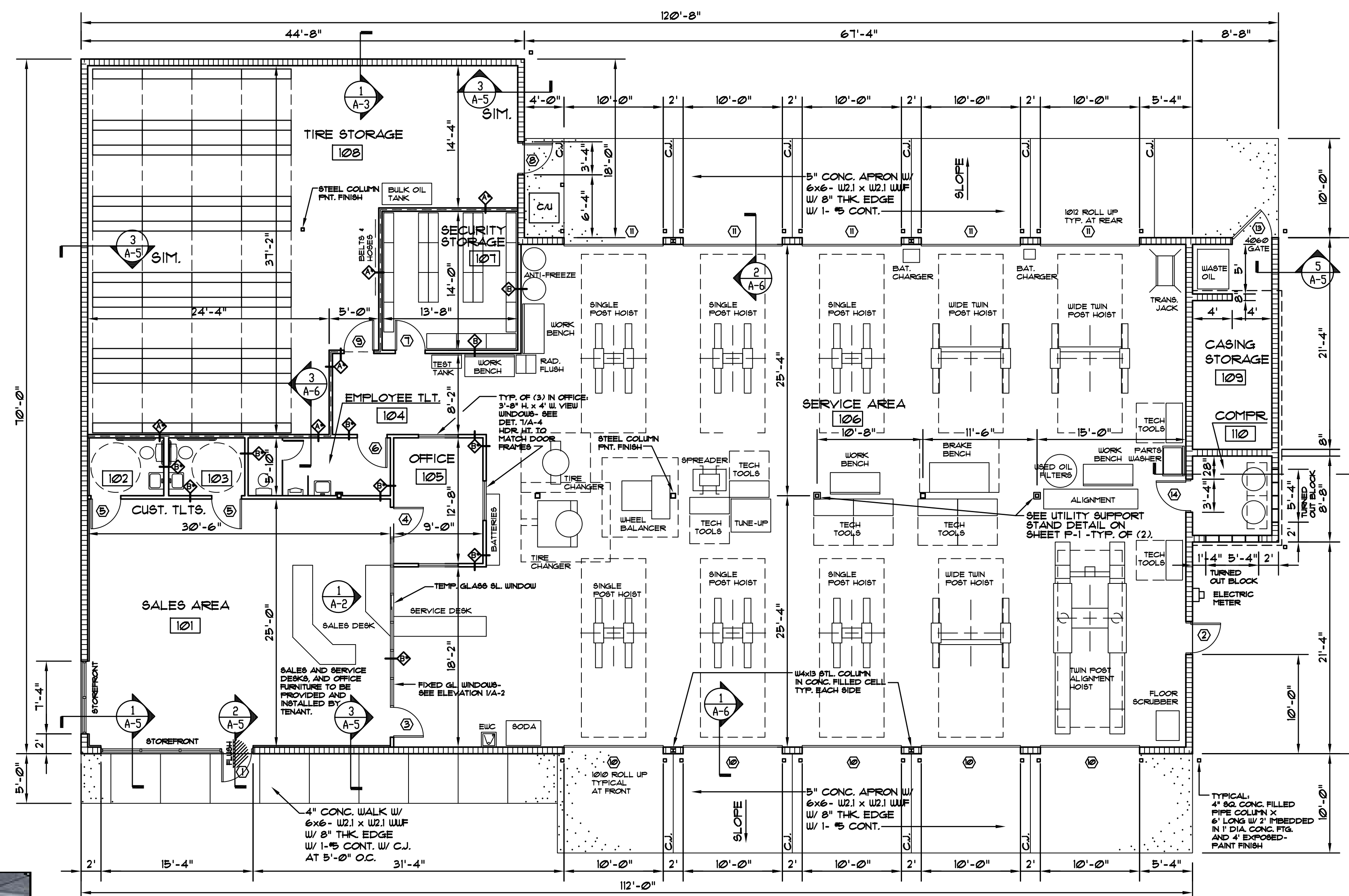
**ENLARGED TOILET FLOOR PLAN**

1/4" = 1'-0"



**1 INTERIOR ELEVATION**

A-2 1/4" = 1'-0"



**FLOOR PLAN**

1/8" = 1'-0"

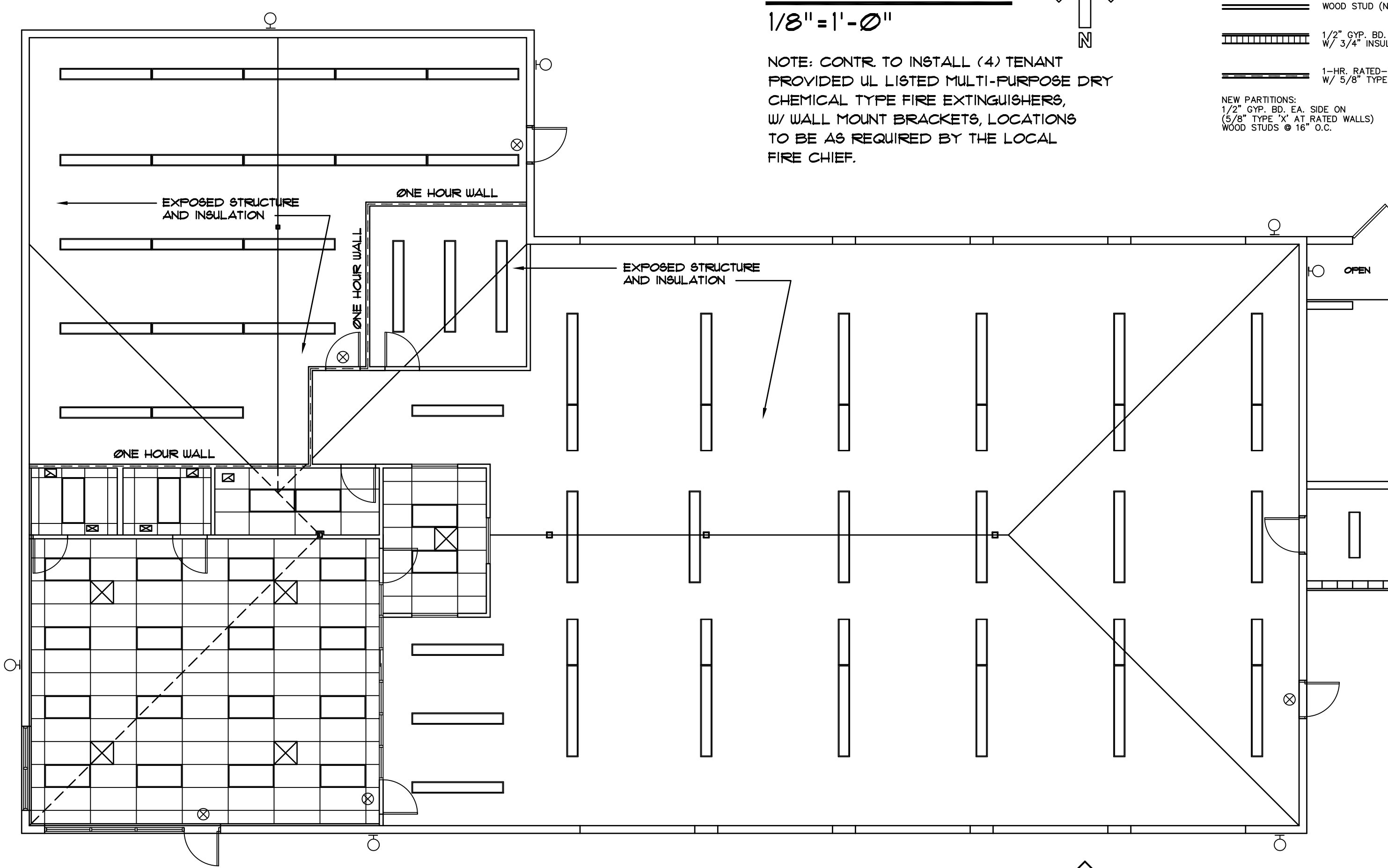
NOTE: CONTR. TO INSTALL (4) TENANT PROVIDED UL LISTED MULTI-PURPOSE DRY CHEMICAL TYPE FIRE EXTINGUISHERS, W/ WALL MOUNT BRACKETS, LOCATIONS TO BE AS REQUIRED BY THE LOCAL FIRE CHIEF.

**PARTITION TYPES**

- WOOD STUD (NON-BRD)
- 1/2" GYP. BD. ON 1x2 PT. WOOD FURRING W/ 3/4" INSULATION ON CMU WALL
- 1-HR. RATED- EXTEND TO DECK OR CLG. W/ 5/8" TYPE 'X' GYP. BD.
- NEW PARTITIONS: 1/2" GYP. BD. EA. SIDE ON (5/8" TYPE 'X' AT RATED WALLS) WOOD STUDS @ 16" O.C.



**FINAL INTERIOR PHOTO**



**CEILING PLAN**

1/8" = 1'-0"

Project No: 91-231 | Approv. By: RLB

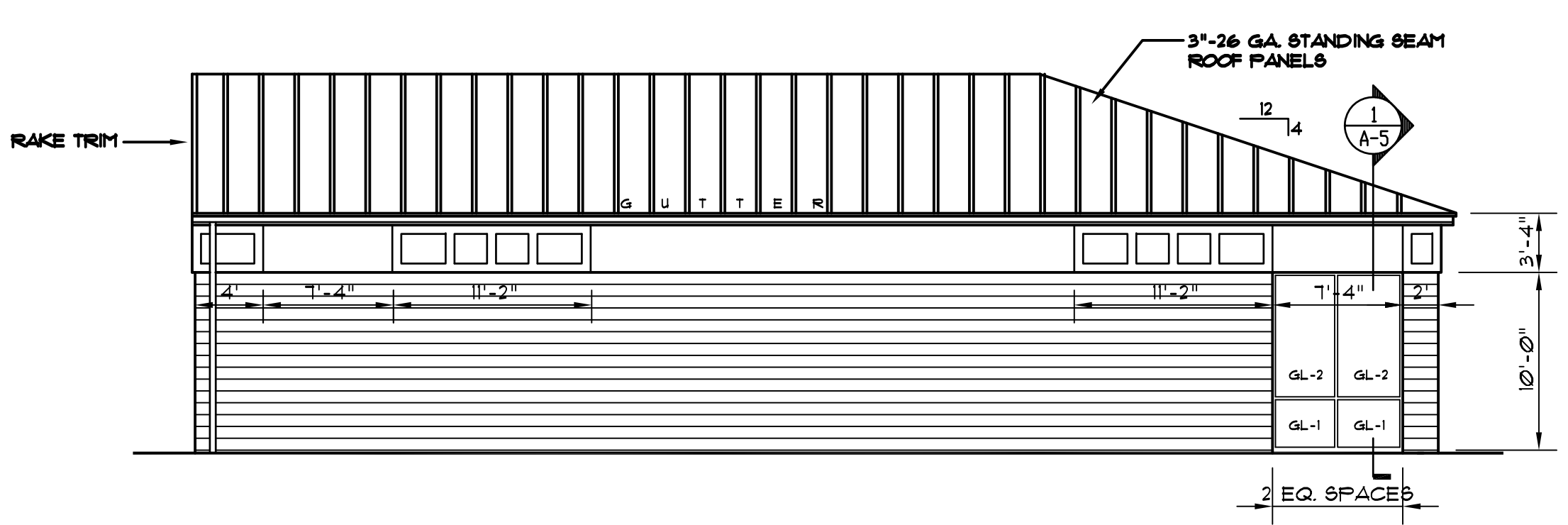
Drawn By: RLB | Date: 10/21/91

Checked By: RLB | Scale: NOTED

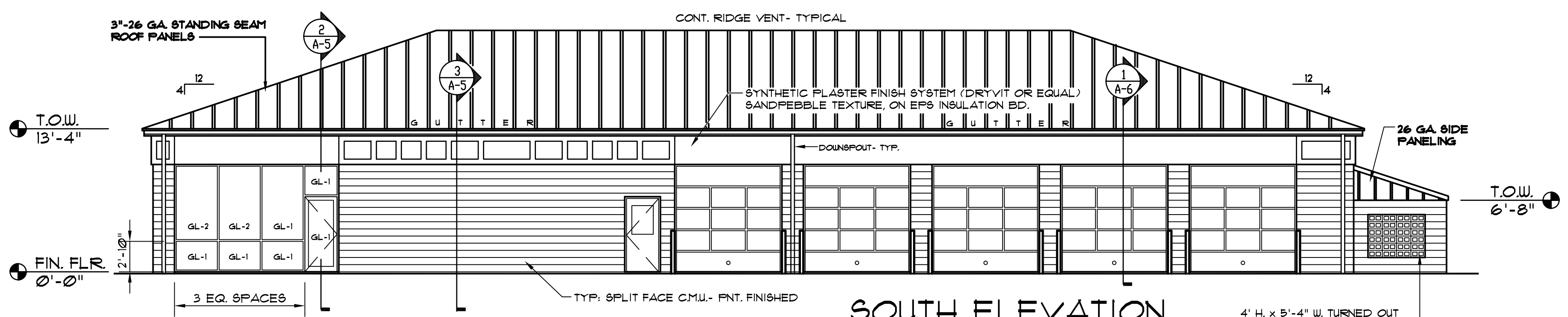
**FLOOR PLAN CEILING PLAN**

Sheet No.

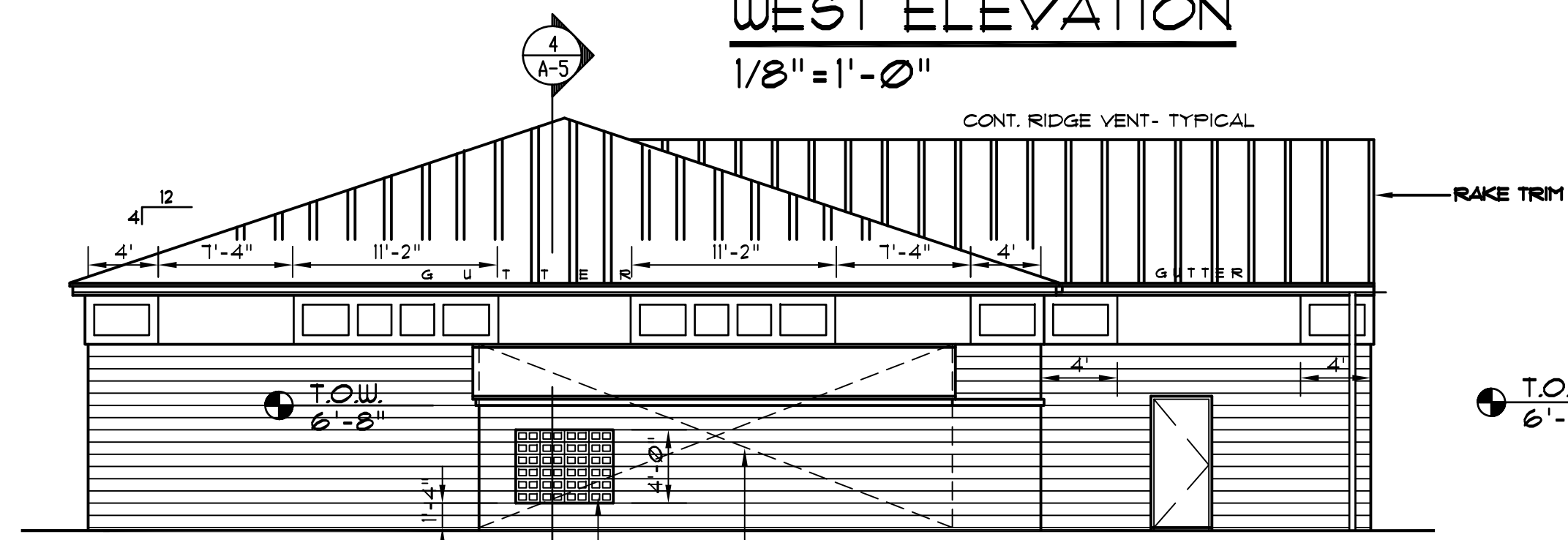
**ACTION TIRE STORE**  
 OCOEE, FLORIDA  
 For:  
**LaKenDon, Inc.**  
 4938 W. Colonial Dr.  
 Orlando, Florida



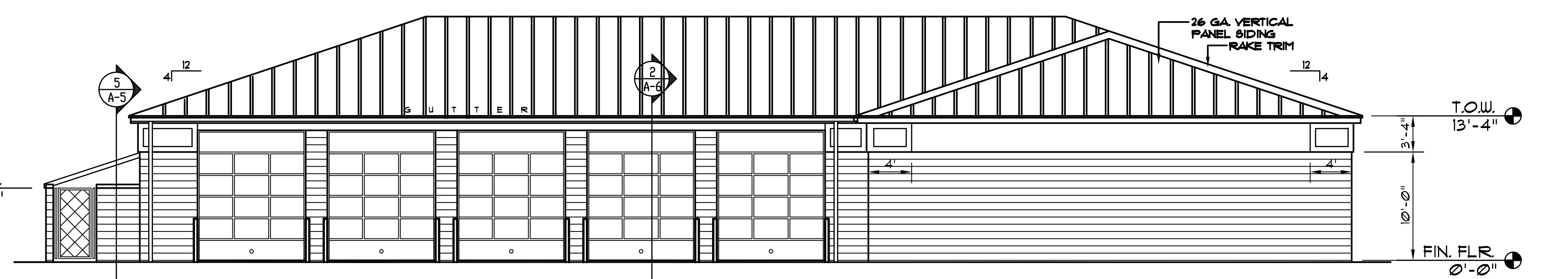
**WEST ELEVATION**  
 1/8" = 1'-0"



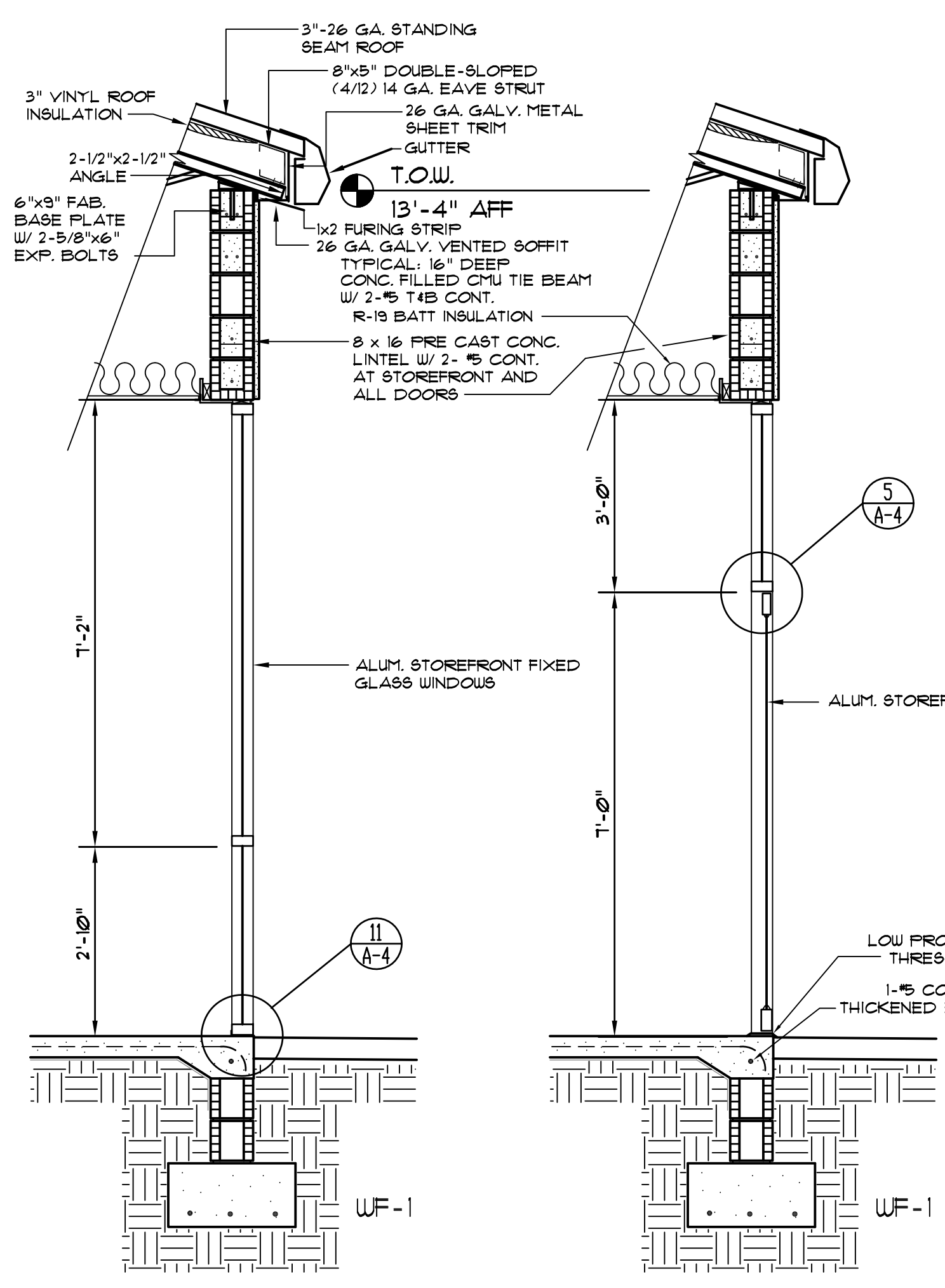
**SOUTH ELEVATION**  
 1/8" = 1'-0"



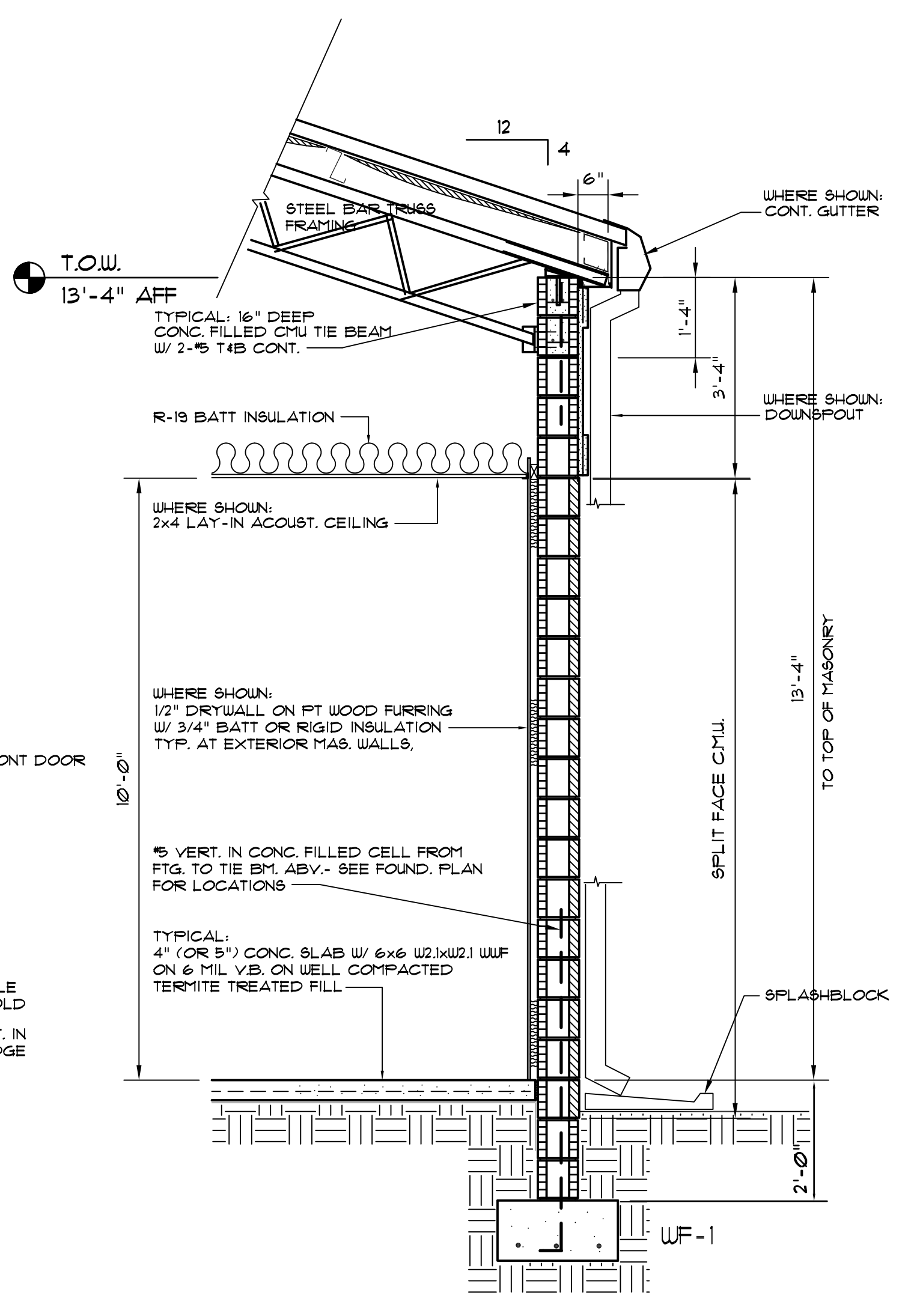
**EAST ELEVATION**  
 1/8" = 1'-0"



**NORTH ELEVATION**  
 1/8" = 1'-0"



1 WALL SECTION  
 A-5 1/2" = 1'-0"



2 WALL SECTION  
 A-5 1/2" = 1'-0"



**FINAL EXTERIOR PHOTO**

Mark	Date	Revision

Project No: 91-231 Approv. By: H.S.  
 Drawn By: HS/RLB Date: 10/21/91  
 Checked By: HS/RLB Scale: NOTED

**ELEVATIONS**  
**SECTIONS**

Sheet No:

**A-5**