

**ADDITIONS / RENOVATIONS
 OB-GYN SPECIALISTS**

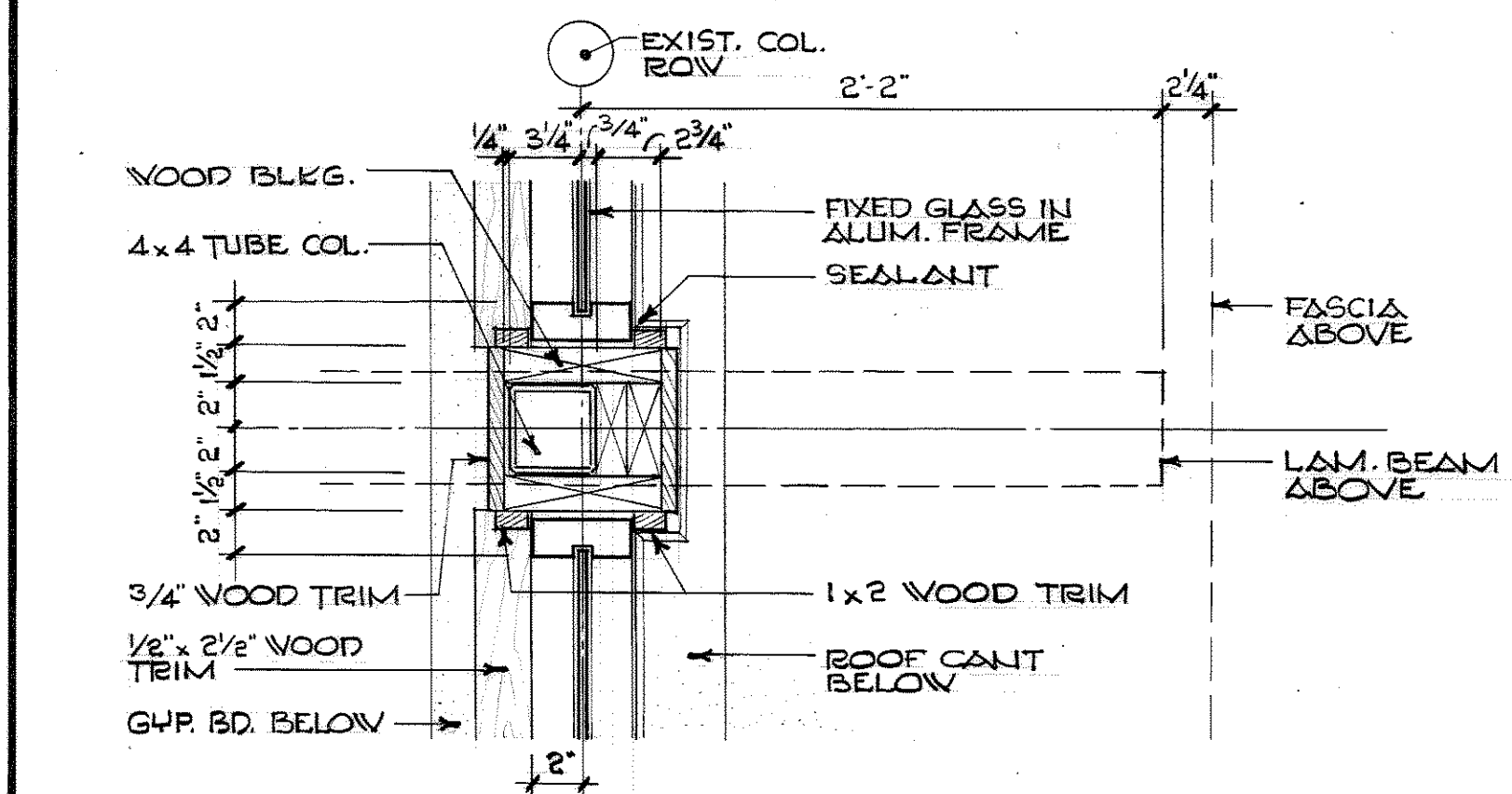
OB-GYN SPECIALISTS
 1551 Clay Street
 Winter Park, Florida 32789
 Ph # (407) 628-9891

FOR
 H.W. DAVIS CONSTRUCTION, INC.
 1212 E. 29th Street
 Orlando, Florida 32805
 Ph # (407) 849-1212

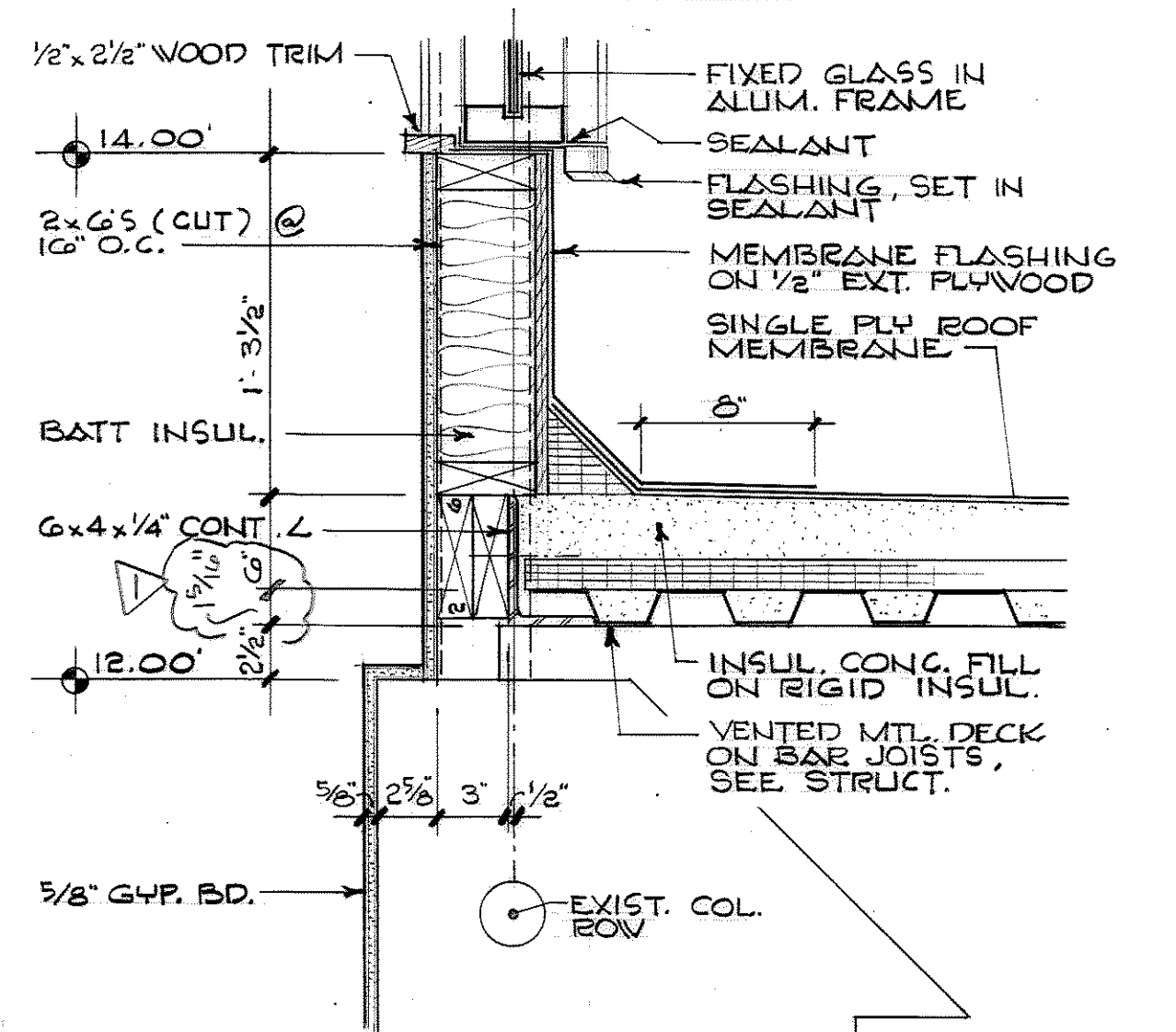
General Notes

Project No: 189-07-2 Approv. by: RLB
 Drawn by: PK Date: 4/18/89
 Checked by: RLB Scale: 1/8" = 1'-0"

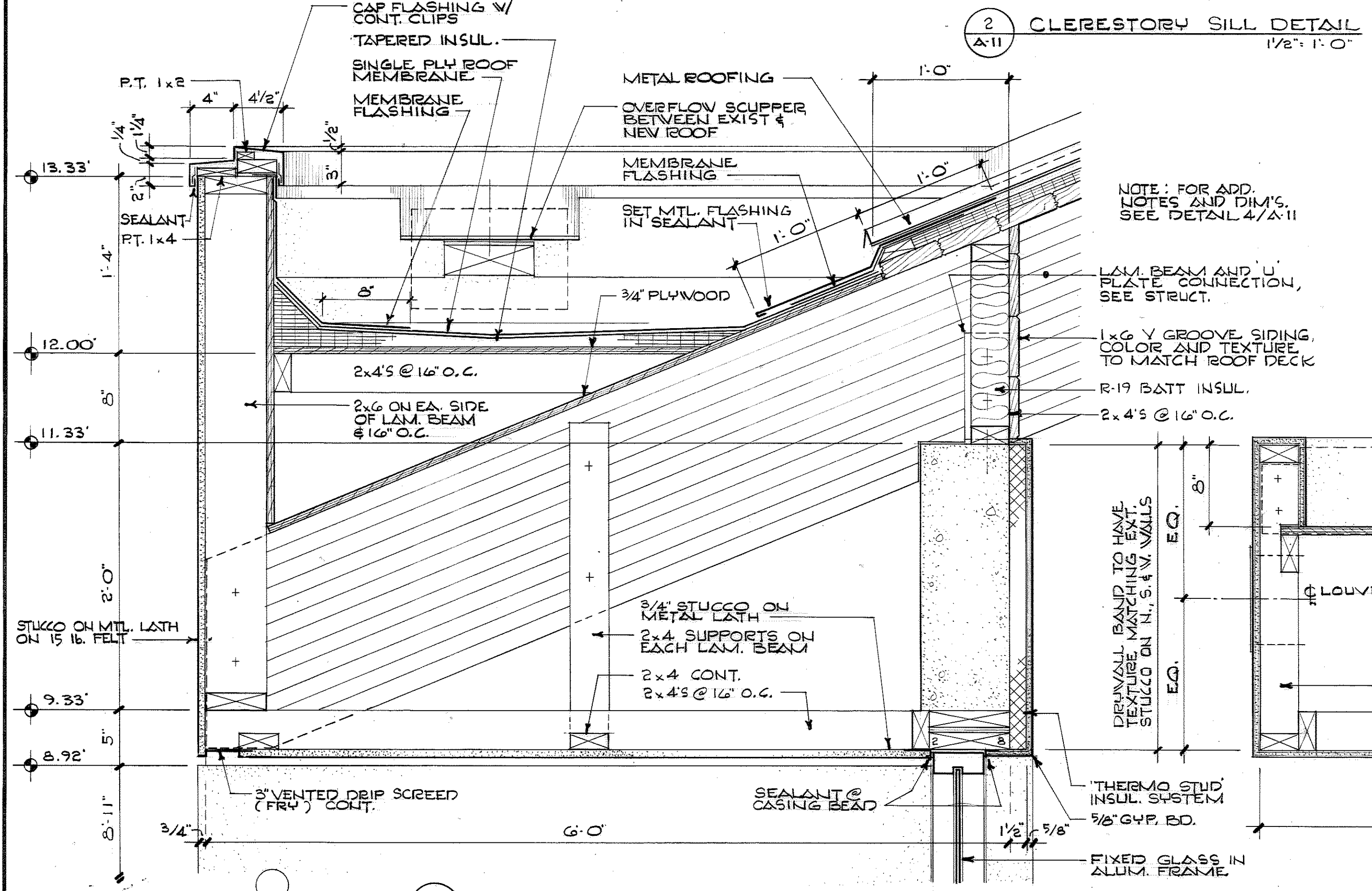
**WALL SECTION
 & DETAILS**



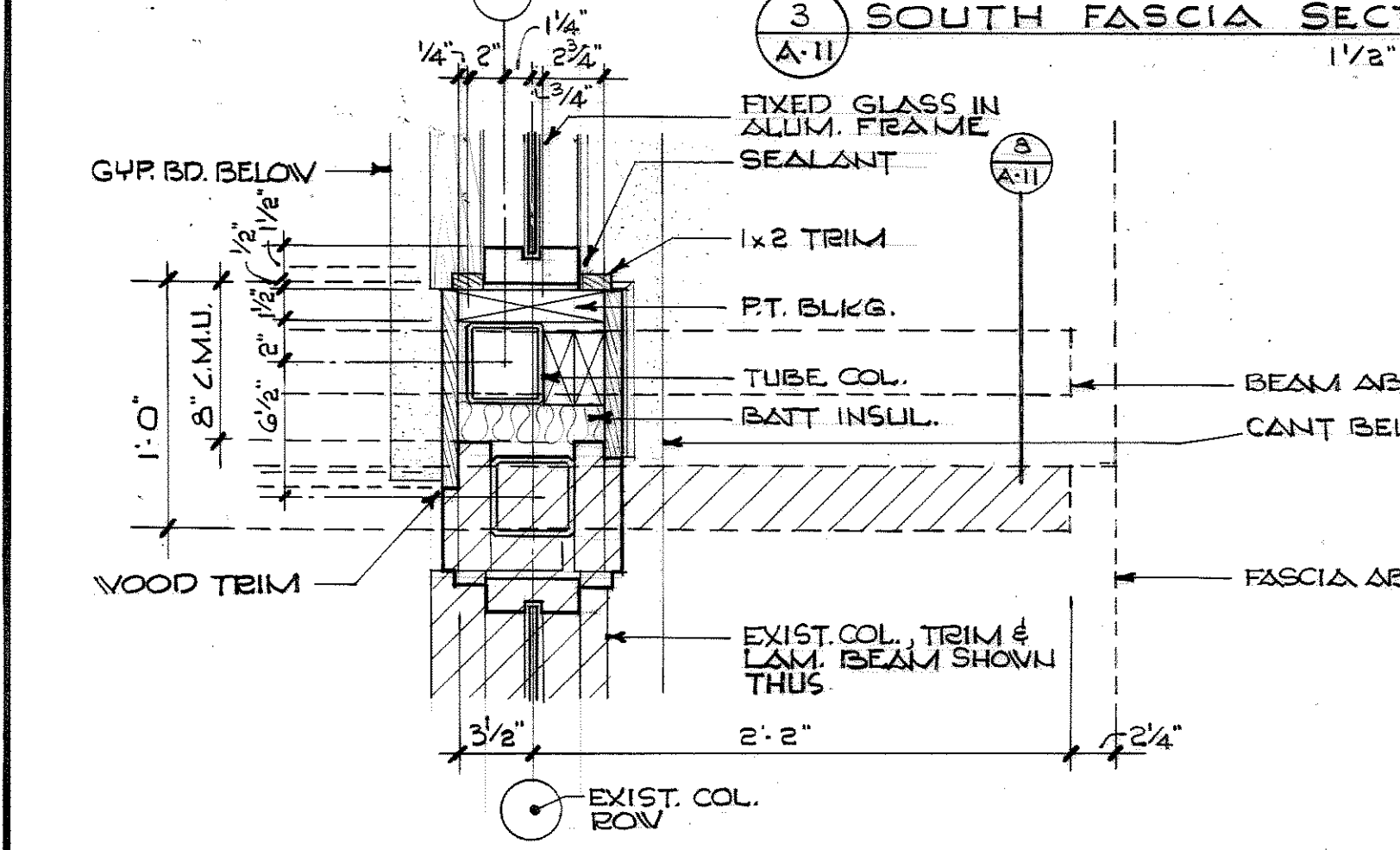
1 CLERESTORY MULLION DETAIL
 1/2" = 1'-0"



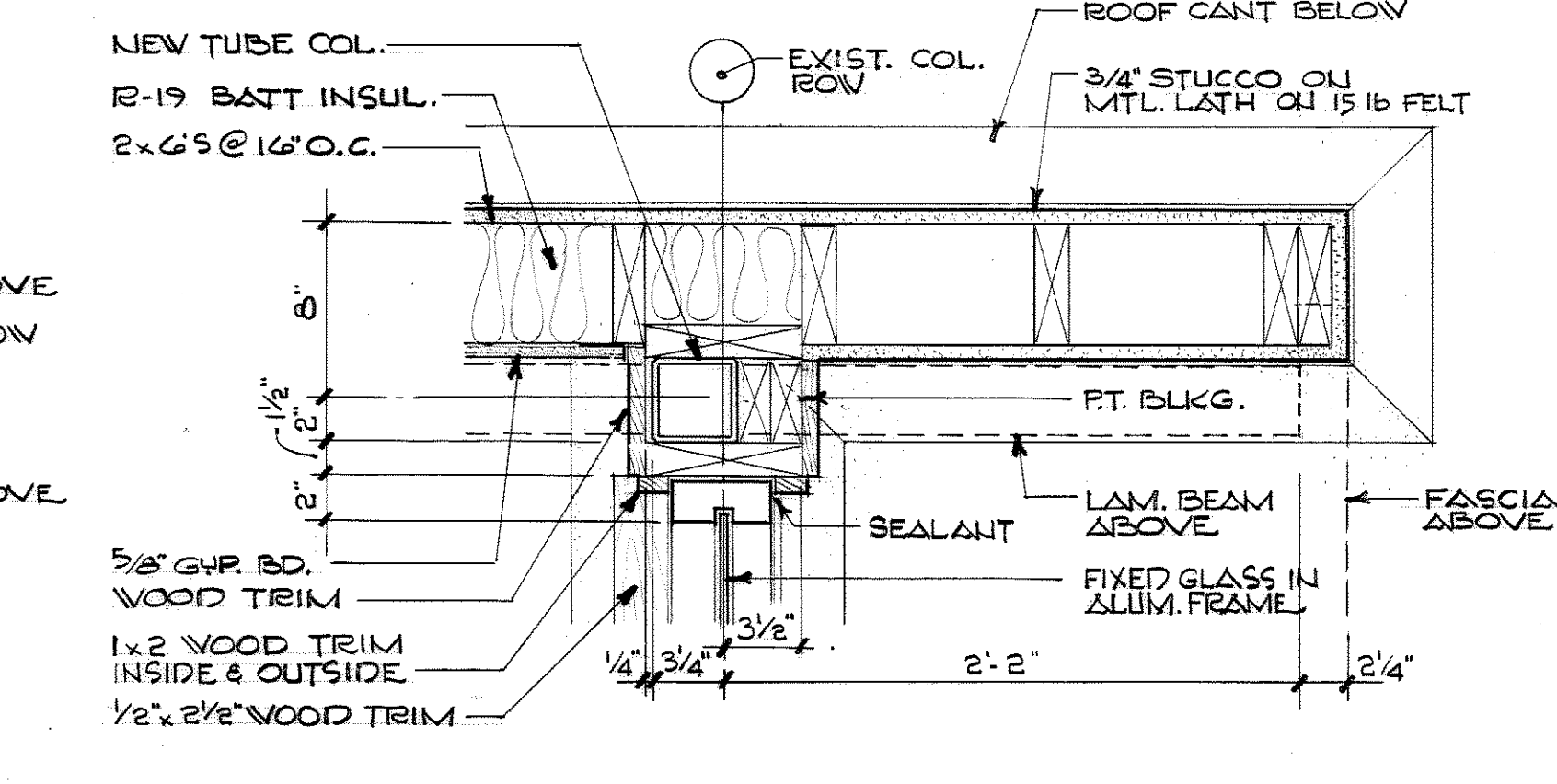
2 CLERESTORY SILL DETAIL
 1/2" = 1'-0"



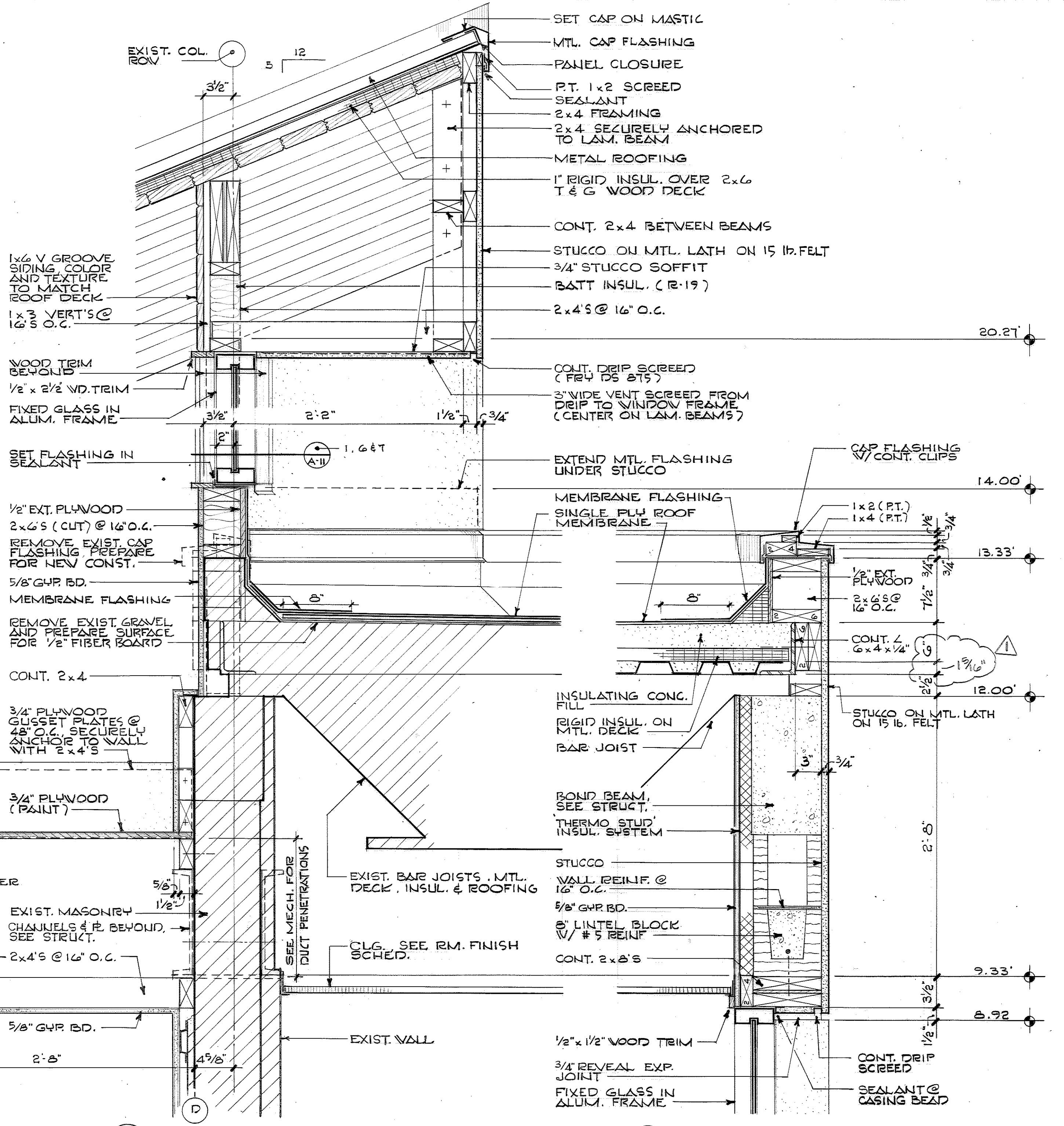
3 SOUTH FASCIA SECTION
 1/2" = 1'-0"



6 CLERESTORY MULLION DETAIL
 1/2" = 1'-0"

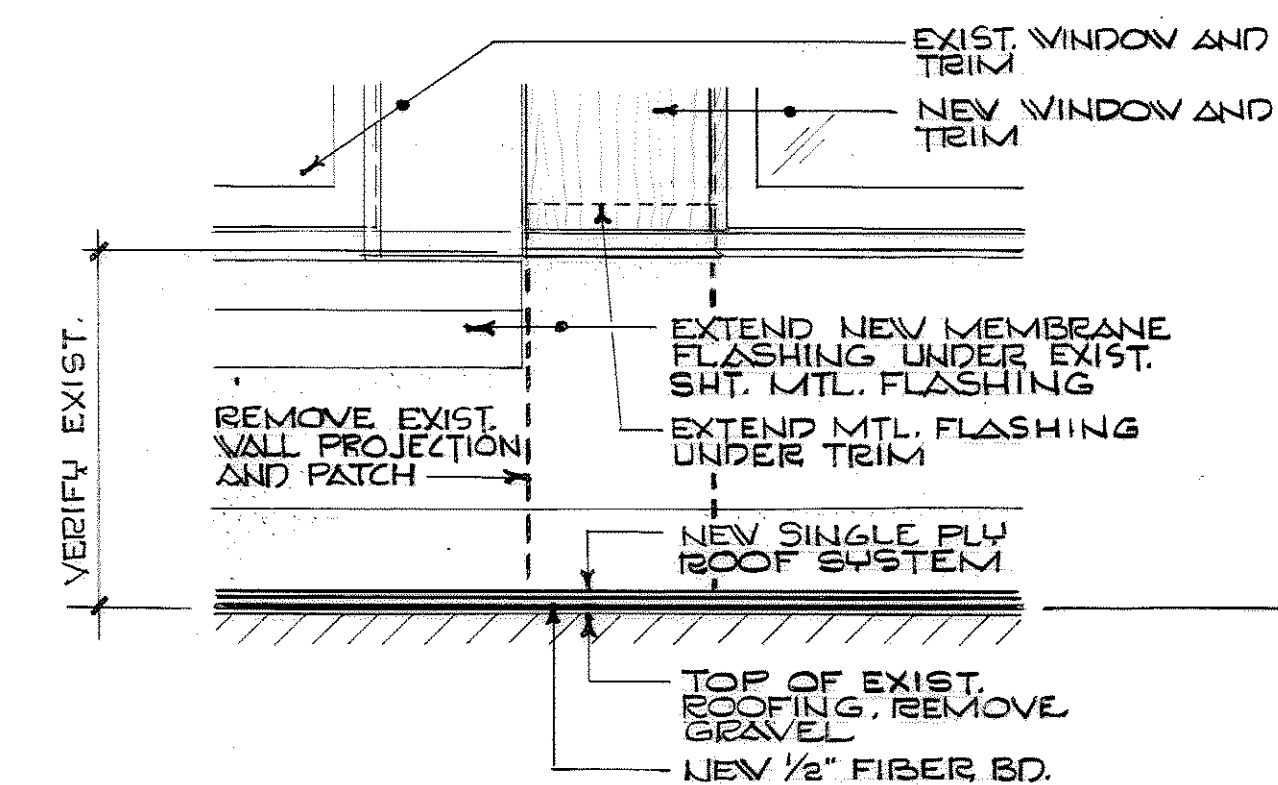


7 CLERESTORY END MULLION DETAIL
 1/2" = 1'-0"

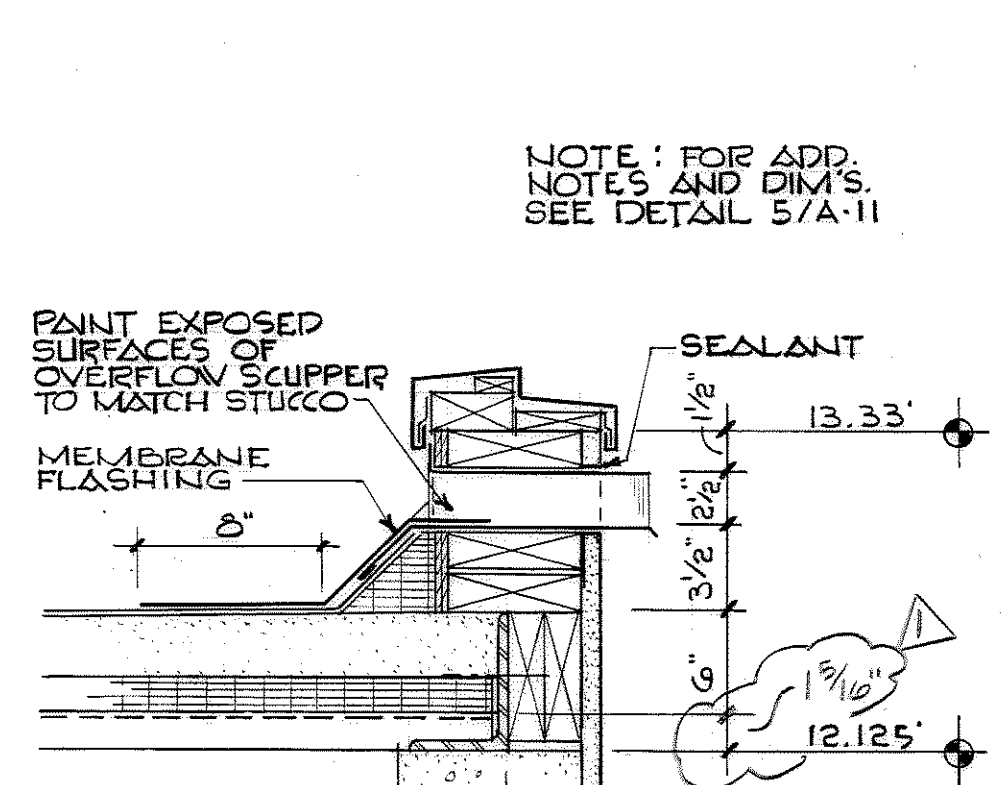


4 CLERESTORY / PLANTSHelf SECTION
 1/2" = 1'-0"

5 ROOF EDGE / WINDOW HEAD DETAIL
 1/2" = 1'-0"



8 EXIST. / NEW WALL ELEV.
 1/2" = 1'-0"



9 OVERFLOW SCUPPER DETAIL
 1/2" = 1'-0"

NOTE: FOR ADD. NOTES AND DIM'S. SEE DETAIL 4/A-11

NOTE: FOR ADD. NOTES AND DIM'S. SEE DETAIL 5/A-11